



DYNAMIC

PERFORMANCE TOOLS



By DOWEN PAGIO

MAGNUM
By DOWEN PAGIO

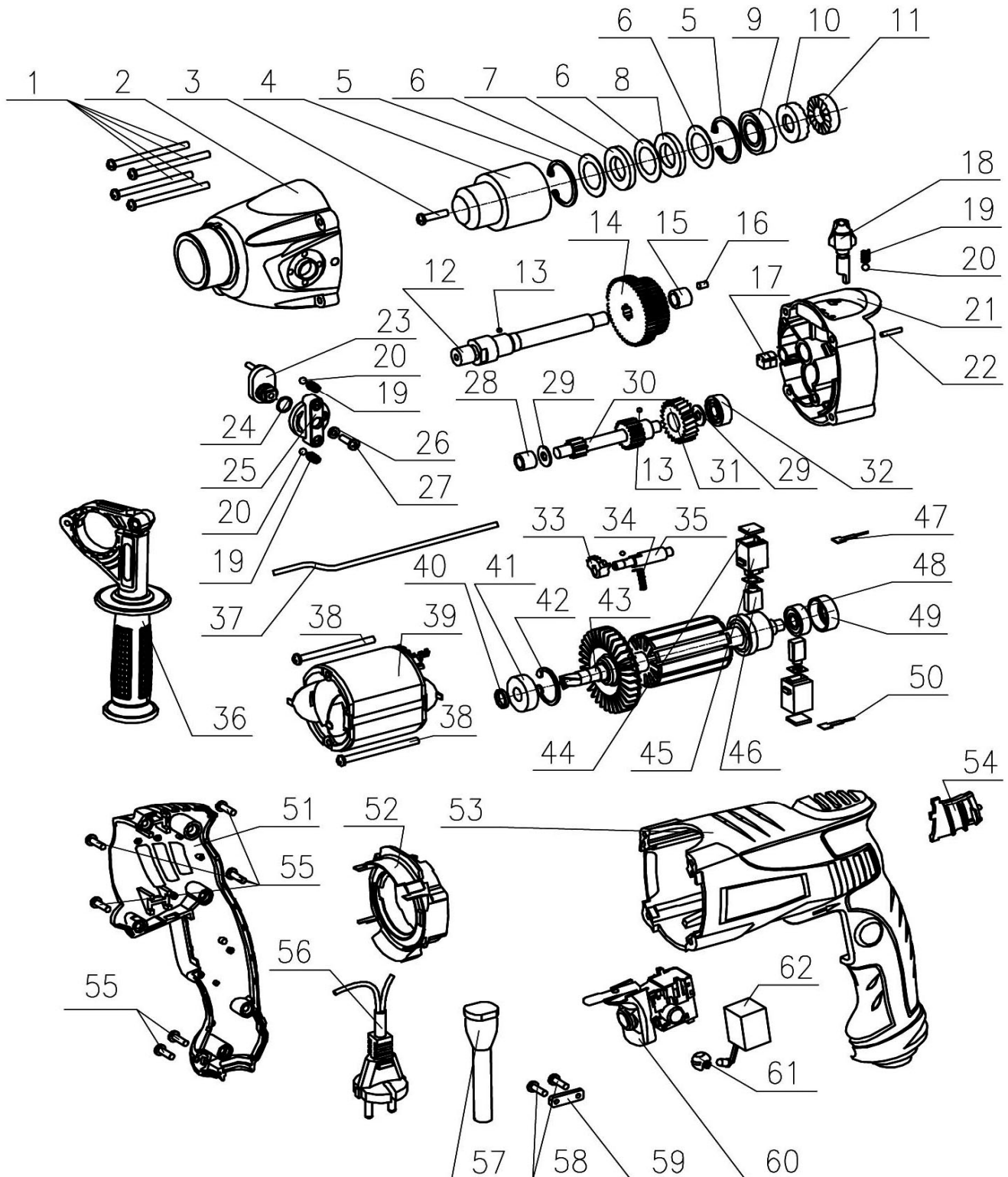
Barbuy Team S.A.

Ruta Nac. Nº 9 Km 501 X2550CUR Bell Ville - Córdoba

fmartino@btatools.com.ar - repuestos@btatools.com.ar | www.btatools.com.ar

Listado de Partes

9993836 - TALADRO PERCUTOR 2 VELOCIDADES - 13mm 1150W



9993836 - TALADRO PERCUTOR 2 VELOCIDADES - 13 mm 1150W

Codigo	Item	Descripcion
R99938001	1	TORNILLO CABEZAL ST4X55-1 p/9993836
R99938002	2	CARCAZA FRONTAL -2 p/9993836
R99938003	3	TORNILLO DE MANDRIL-3 p/9993836
R99938004	4	MANDRIL-4 p/9993836
R99938005	5	ANILLO DE SUJECION ø32 -5 p/9993836
R99938006	6	ARANDELA ø 32- 6 p/9993836
R99938007	7	ANILLO DE CIERRE ø 32- 7 p/9993836
R99938008	8	SELLO DE CAUCHO ø 32- 8 p/9993836
R99938009	9	RODAMIENTO -9 p/9993836
R99938010	10	BLOQUE DE IMPACTO-10 p/9993836
R99938011	11	BLOQUE DE IMPACTO- 11 p/9993836
R99938012	12	EJE DE TRASMISION- 12 p/9993836
R99938013	13	BOLA DE ACERO ø3 -13- p/9993836
R99938014	14	ENGRANAJE DOBLE- 14 p/9993836
R99938015	15	RODAMIENTO AGUJA HK -15 p/9993836
R99938016	16	ESPINA ELAST. DE GUIA- 16 p/9993836
R99938017	17	FILTRO SOPORTE. INTERMED. p/9993836
R99938018	18	SELECTOR DE PERCUTOR-18 p/9993836
R99938019	19	RESORTE ø4.7X10 -19- p/9993836
R99938020	20	BOLA DE ACERO ø 4.7 -20-p/9993836
R99938021	21	TAPA CAJA DE ENGRANAJE -21p/9993836
R99938022	22	CLAVIJA ø3x14- 22 p/9993836
R99938023	23	PALANCA REG. VELOCIDAD-23 p/9993836
R99938024	24	ORING -24 p/9993836
R99938025	25	PERILLA CAMBIO VELOCIDAD p/9993836
R99938026	26	ARANDELA -26- p/9993836
R99938027	27	TORNILLO- 27 p/9993836
R99938028	28	RODAMIENTO AGUJA HK- 28 p/9993836
R99938029	29	ARANDELA ø 8 - 29 p/9993836
R99938030	30	EJE INTERM. C/ENGRANAJE-30p/9993836
R99938031	31	ENGRANAJE INTERMEDIO -31 p/9993836
R99938032	32	RODAMIENTO 608 -32 p/9993836
R99938033	33	ENGRANAJE DE CIERRE- 33 p/9993836
R99938034	34	RESORTE DE CIERRE-34 p/9993836
R99938035	35	EJE DE CIERRE- 35 p/9993836
R99938036	36	MANGO AUXILIAR- 36 p/9993836
R99938037	37	EJE LIMITADOR-37 p/9993836
R99938038	38	TORNILLO-38 p/9993836
R99938039	39	ESTATOR-39 p/9993836
R99938040	40	ANILLO DE CIERRE ø10 -40 p/9993836
R99938041	41	RODAMIENTO 6000 -41 p/9993836
R99938042	42	ANILLO DE SUJECION ø26 -42p/9993836
R99938043	43	ROTOR -43 p/9993836
R99938044	44	TAPA PORTA CARBON -44 p/9993836
R99938045	45	PORTACARBON -45- p/9993836
R99938046	46	JGO DE CARBONES -46- p/9993836
R99938047	47	CONECTOR DE CARBON-47 p/9993836
R99938048	48	RODAMIENTO 608- 48 p/9993836
R99938049	49	PROTECTOR DE RODAMIENTO-49p/9993836
R99938050	50	CONECTOR DE CARBON-50 p/9993836

9993836 - TALADRO PERCUTOR 2 VELOCIDADES - 13 mm 1150W

Codigo	Item	Descripcion
R99938051	51	CARCAZA PLASTICA LAT.-51 p/9993836
R99938052	52	DEFLECTOR DE AIRE-52 p/9993836
R99938053	53	CARCAZA PLASTICA CENTRAL P/9993836
R99938054	54	TAPA PLASTICA TRASERA -54 p/9993836
R99938055	55	TORNILLO ST4X14-55- p/9993836
R99938056	56	CABLE DE ALIMENTACION- 56 p/9993836
R99938057	57	PRENSA CABLE -57-p/9993836
R99938058	58	TORNILLO ST4X14 -58-p/9993836
R99938059	59	PRENSA CABLE -59- p/9993836
R99938060	60	INTERRUPTOR -60- p/9993836
R99938061	61	PROTECTOR LAMPARA-61- p/9993836
R99938062	62	CAPACITOR -62- p/9993836
R99938063		CAJA DE EMBALAJE p/9993836