

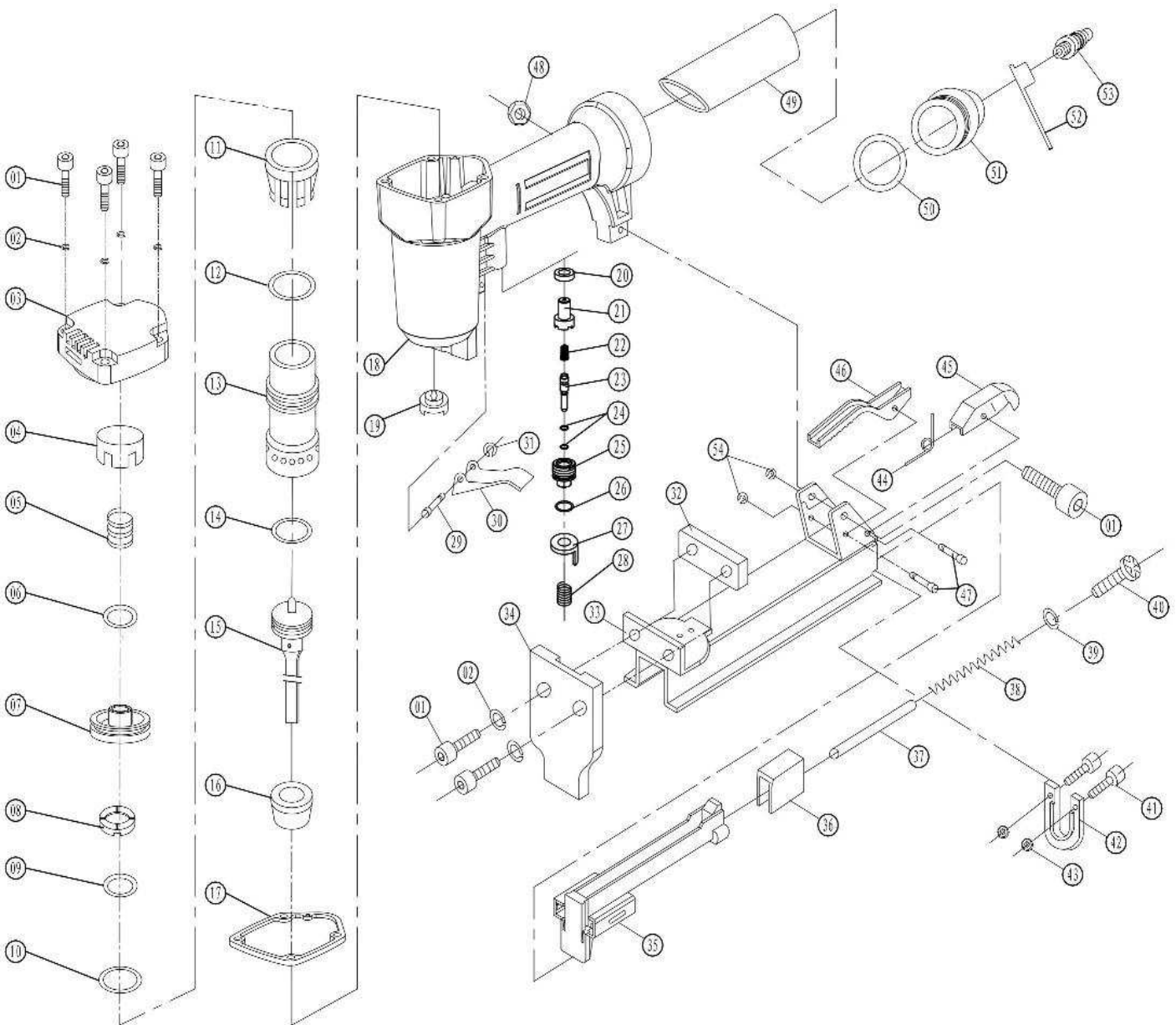
Barbuy Team S.A.

Ruta Nac. N° 9 Km 501 X2550CUR Bell Ville - Córdoba

fmartino@btatools.com.ar - repuestos@btatools.com.ar | www.btatools.com.ar

## Listado de Partes

## 822406 ENGRAPADORA NEUM. 6-16mmx12.8mm BTA



**822406 ENGRAPADORA NEUM. 6-16mmx12.8mm BTA**

<b>Codigo</b>	<b>Item</b>	<b>Descripcion</b>
R82241602.1	3	TAPA SUPERIOR -3- p/822406
R82241603	5	RESORTE COMPRESION-5- p/822406
R82241604	4	ARANDELA-4- p/822406
R82241605	5	TAPA SUPERIOR CILINDRO-5- p/822406
R82241606	9	ORING 11.7x2.1--9-- p/822406
R82241607	10	ORING 16.2x2.1--10-- p/822406
R82241608	7	TAPA VALVULA-7- p/822406
R82241609	11	COLLAR-11-- p/822406
R82241610	12	ORING 2.65x30.2--12-- p/822406
R82241611	13	CILINDRO--13-- p/822406
R82241612	14	ORING 2.65x18--14-- p/822406
R82241613	15	PISTON IMPULSADOR--15-- p/822406
R82241614	16	TACO APOYO-16- p/822406
R82241615	17	JUNTA SUPERIOR CILINDRO-17-p/822406
R82241616	18	CUERPO-18- p/822406
R82241617	19	ARANDELA-19- p/822406
R82241618	20	ARANDELA-20- p/822406
R82241619	21	ASIENTO VALVULA GATILLO-21-p/822406
R82241620	23	VALVULA GATILLO-23- p/822406
R82241621	24	ORING 1.7x2--24-- p/822406
R82241622	25	GUIA VALVULA GATILLO-25- p/822406
R82241623	26	ORING 11.2x2--26-- p/822406
R82241624	27	PERILLA SEGURIDAD-27- p/822406
R82241625	28	RESORTE COMPRESION-28- p/822406
R82241626	29	EJE GATILLO-29- p/822406
R82241627	30	GATILLO-30- p/822406
R82241630	34	TAPA FRONTAL CARGADOR-34- p/822406
R82241631	32	ESPACEADOR-32- p/822406
R82241632	33	CARGADOR FIJO-33- p/822406
R82241633	35	CARGADOR MOVIL-35- p/822406
R82241634	36	EMPUJADOR-36- p/822406
R82241635	37	EJE IMPULSADOR-37- p/822406
R82241636	38	RESORTE DE COMPRESION-38-p/822406
R82241640	42	ASIENTO DE EMPUJADOR-42- p/822406
R82241642	47	ESPINA ELASTICA-47- p/822406
R82241643	44	RESORTE-44- p/822406
R82241644	45	TRABA DE CARGADOR-45- p/822406
R82241645	46	PERILLA DE TRABA-46- p/822406
R82241647	49	MANOPLA SUPERIOR-49- p/822406
R82241648	50	ORING 35.5x2.3--50- p/822406
R82241649	51	TAPA TRASERA-51- p/822406
R82241650	53	ADAPTADOR-53- p/822406
R82241651		COBERTOR DE CARTON p/822406
R82241652	8	ARANDELA DE COLLAR 8 p/842406

